


Disassembly Instructions, Singulator-2

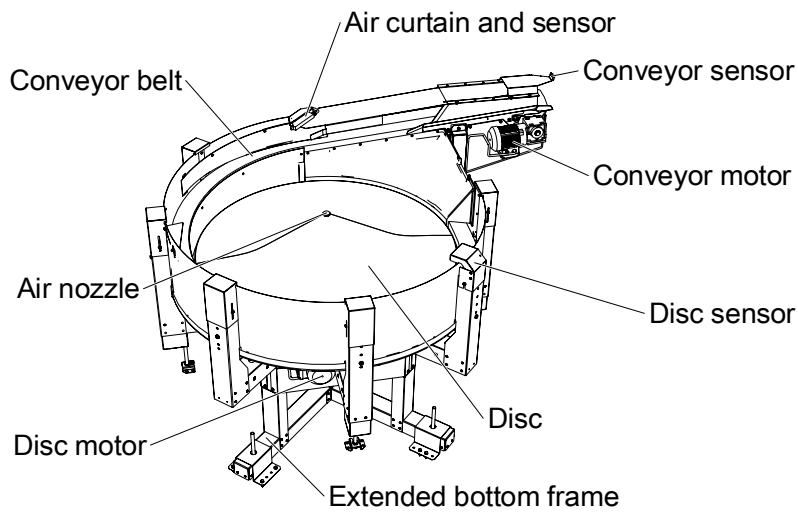
Rev. Date: 2016-11-10 – SPID: 2409/0.2 (-) – Disassembly Instructions, Singulator-2 – Basic

50138001-Singulator-2

Notice	<ul style="list-style-type: none"> All weight values are approximate. Parts containing plastic and steel should be separated. Printed circuit boards should be separated from steel. 	
---------------	---	---

Suggested Tools	<ul style="list-style-type: none"> Socket wrenches 5.5, 10, 13 and 17 mm Wrenches 10, 24 and 30 mm Torx screwdrivers T20 Hex key 4 mm and 10 mm Side cutting pliers Power drill with 4,0 mm and 5,0 mm drill bits.
------------------------	--

Part number	50138001	Name	Singulator-2
--------------------	----------	-------------	--------------



Material type and weight (approximate)	Steel and Iron	175 Kg.	Plastics	33 Kg.	Cables	2 Kg.
	Aluminum	23 Kg.	Rubber	2 Kg.	Other	-
	EEE parts	-	Motor	15 Kg.	Other	-

Dismantling procedure	70138200-Manual Service Depot System
------------------------------	--------------------------------------

Suggested dismantling procedure		
Step	Part	Material
1	Disc Motor and Conveyor Motor	Motor
2	Disc and Spill trays	Plastic
3	Conveyor with Belt	Steel, Aluminum, Plastic, Rubber
4	Cables	Cable (EEE)
5		Steel, Iron, EEE part, Plastic, PCB, Rubber, Cable (EEE), Motor